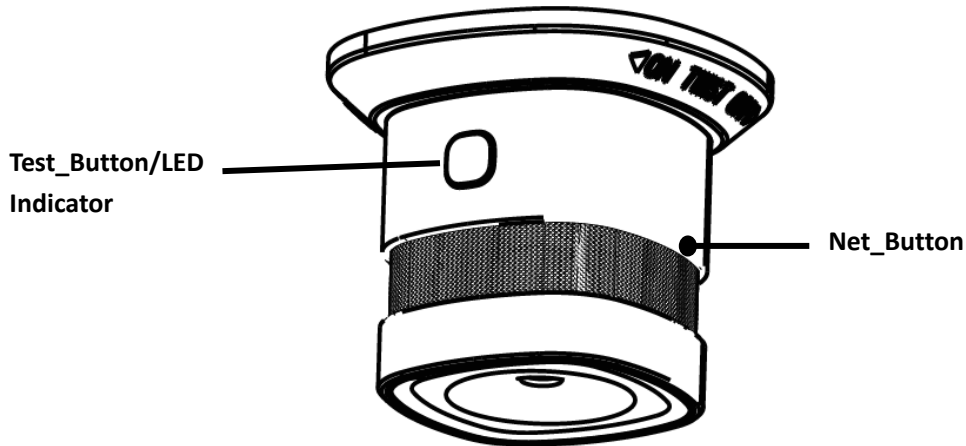


HS1SA-Z

Z-Wave Device Guide Document



Product description

-Product is S2 Unauthenticated devices.

-This device is a security enable Z-Wave Plus product that is able to use encrypted Z-Wave Plus messages to communicate to other security enable Z-Wave Plus products.

Note: A "Security Enable Z-Wave Controller " must be used in order to fully utilize this function.

1-Device ADD for Inclusion

- Click [Add] icon in Z-Wave Controller .
- Press the Net_Button 3 times within 1.5s, Green LED is Blinking 3 times within 1 second.
- If Inclusion Process is successful, Green led will turn off.

2-Device Remove for Exclusion

- Click [Remove] icon in Z-Wave Controller
- Press the Net_Button 3 times within 1.5s
- If Exclusion Process is successful, Green led is Blinking 6 times, then turn off.

3-Device test mode

if Inclusion process is successful, Press Test_Button to test if the device is working normally.

Red LED flashes the device 3 times and sends out a smoke event, then when the red LED turn off the device sends out a smoke-free event .

4-Device detection mode

if Inclusion process is successful, the device will report alarm information if detect the status change of smoke and no smoke . Red LED blinks quickly when smoke is detected.

5-Device Factory Reset

--Long press Net_Button at least 10 seconds in the product.

- Device Reset Locally notification is Transmitted.

. Please use this procedure only when the network primary controller is missing or otherwise

inoperable.

6-Association & Association Group Information

- Lifeline between controller and HS1SA-Z
- Supported command classes

Battery report, Notification report, and Device Reset Locally notification.

- Association Group description

Association group 1: Lifeline association group

- Maximum supported node is 5.

Include command classes: Battery report, Notification report, and Device Reset Locally notification,

- ▶ Association group 2: Root Device group(Basic set)

- Maximum supported node is 5.

The Sensor sends a [Basic Set command](#) to directly trigger devices (like a light, switch, etc.) in response to events. The value of the Basic Set command (e.g. Siren trigger) is [configured using smoke or no smoke](#)

This parameter sets the value sent by the BASIC_SET command to Association Group for Smoke event		
BASIC_SET Level	0xFF	Turn On Device
This parameter sets the value sent by the BASIC_SET command to Association Group for no smoke event		
BASIC_SET Level	0x00	Turn Off Device

7-Notification Report

-Press or release test button, or smoke status is changed(smoke detected or no smoke detected) , Notification Report is transmitted

Notification Type	Event
Smoke Alarm (0x01)	Previous Events cleared (0x00)
	Smoke detected, Unknown Location(0x02)

8-Battery Report

- Battery Report is transmitted when power on the device.
- Battery Report is transmitted once a day.
- Battery Report is transmitted when the battery falls less than 0%
-

Battery Voltage	Battery Level
2.4V ~ 3.0V	0~ 100 (%)
Under 2.4V	0xFF

9-Wake up Notification

- Wake up Notification is transmitted every 24 hours by default.
- Wake up Notification is transmitted when power is turn on.

10-Devices from multiple manufacturers in one network

- This product can be included and operated in any Z-Wave network with other Z-Wave certified devices from other manufacturers and/or other applicants. All non-battery operated nodes within the network will act as repeaters regardless of vendor to increase reliability of the network.

11-Z-Wave Specifications

11.1-Device Type : Sensor - Notification

11.2-Role Type : RSS (Reporting Sleeping Slave)

11.3-Command Class Support/Control

11.3.1-Z-Wave plus InfoVersion 2

11.3.2-Notification Version 8

11.3.3-Association Version 2

11.3.4-Association Group Info Version 1

11.3.5-Transport Service Version 2

11.3.6-Version Version 3

11.3.7-Manufacturer Specific Version 2

11.3.8-Device Reset Locally Version 1

11.3.9-Powerlevel Version 1

11.3.10-Battery Version 1

11.3.11-Security 2 Version 1

11.3.12-Supervision Version 1

11.3.13-Wake Up Versi on 2

[11.3.14-Multi Channel Association Version 3](#)

11.4-The below listed Command Class are all Supported the Security S2

11.4.1-Notification Version 8

11.4.2-Association Version 2

11.4.3-Association Group Info Version 1

11.4.4-Version Version 3

11.4.5-Manufacturer Specific Version 2

11.4.6-Device Reset Locally Version 1

11.4.7-Powerlevel Version 1

11.4.8-Battery Version 1

11.4.9-Wake Up Versi on 2

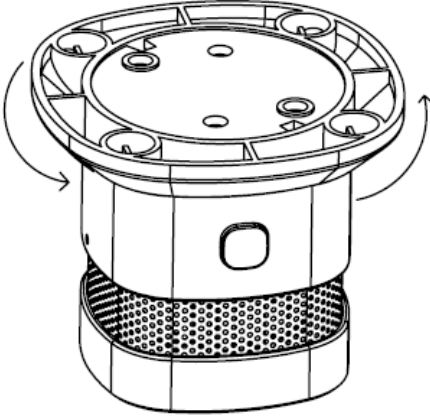
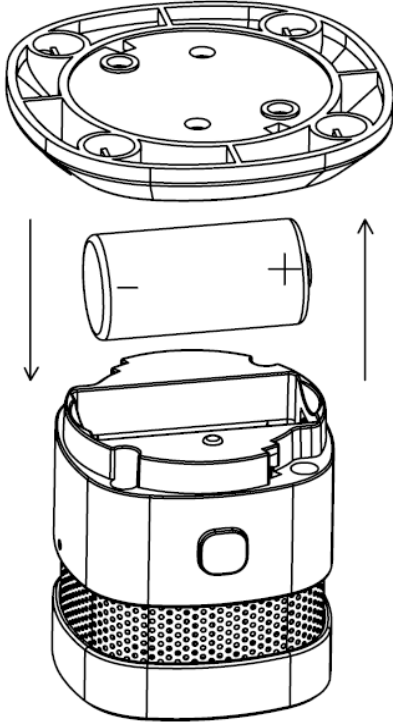
[11.4.10-Multi Channel Association Version 3](#)

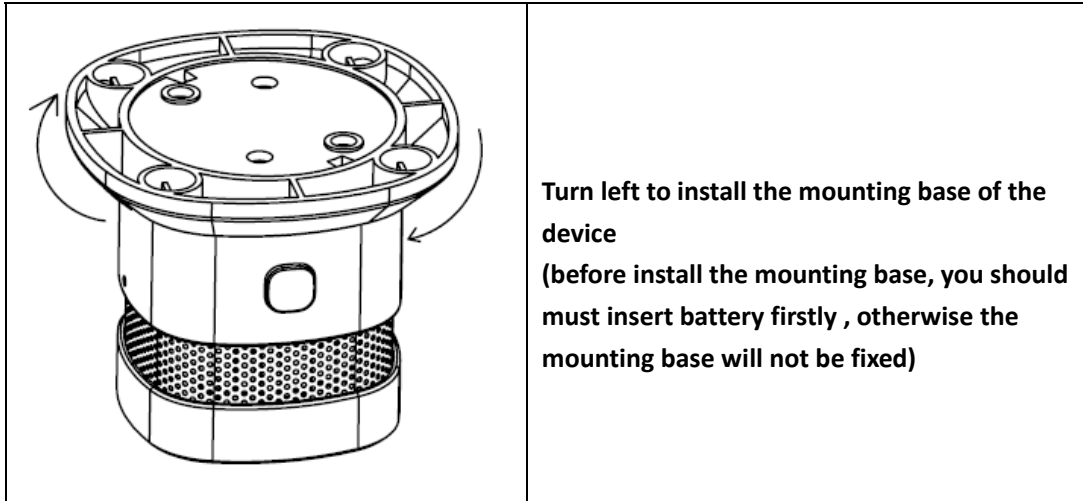
12-Indicate LED statues description-

status	LED status	Alarm sound
Normal	Red LED flash every 53s	No sound
Test mode	Red LED flash quickly	Sound “Di-Di-Di” loudly
Alarm	Red LED flash quickly	Sound “Di-Di-Di” loudly

Silence mode	Red LED flash 1 time every 10 seconds	No sound
Low battery	Red LED flash 1 time every 53 seconds	Sound "Di" every 53 seconds
Fault	Red LED flash 2 times every 53 seconds	Sound "Di" twice every 53 seconds

13-How to replace the batteries

	<p>Turn right to dismantle the mounting base of the device</p>
	<p>1)take out battery from the device 2)Insert the battery into the device (You must be careful of the battery polarity)</p>



14-Technical Specifications

Model No.	HS1SA-Z
RF frequency	868.40- 869.85 MHz
RF operating distance	Up to 100m outdoor line of sight Up to 40m indoor
Powered by	1 x CR123A
Temperature	-10°C~ 50°C
Humidity	95% max
Weight	69.2g (batteries)